

**CENTURY
EQUIPMENT**

DISTRIBUTORS

CEN-26K

4-Ton, Clear Floor

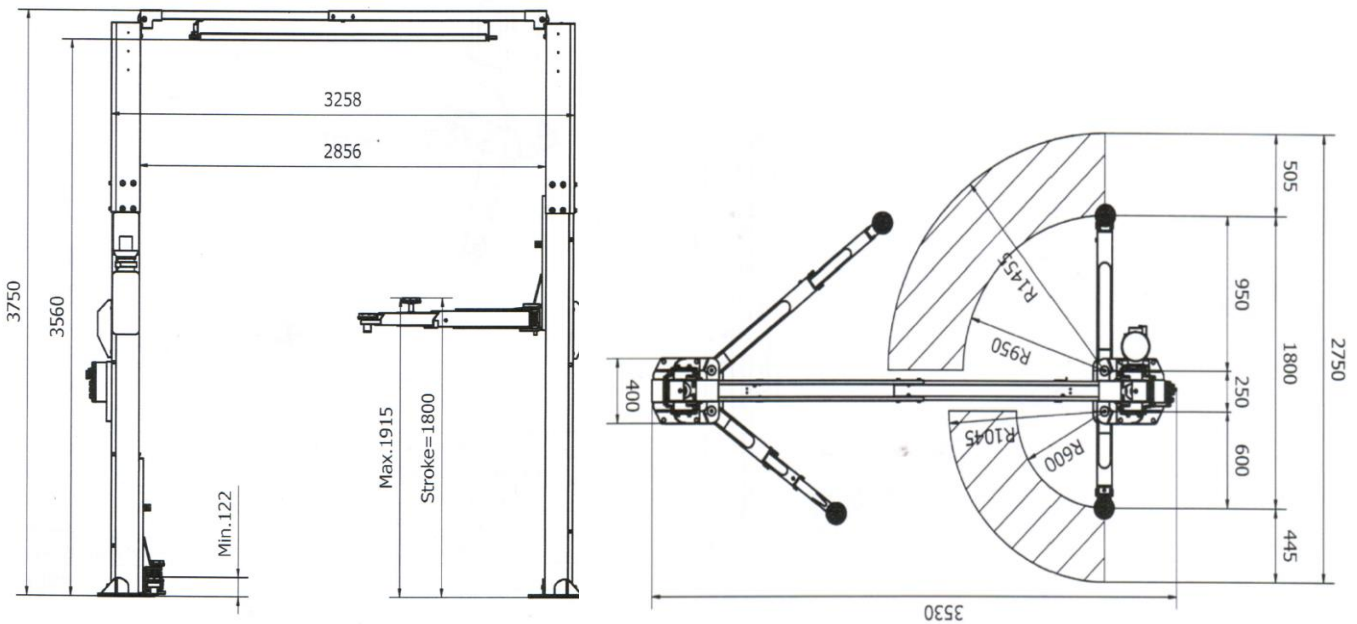


Patented reinforced
profile shape

ASK US ABOUT OUR 5 YEAR WARRANTY (CONDITIONS APPLY)

sales@centurydistributors.co.nz Phone: (04) 567 1405 www.centurydistributors.co.nz

Colour:	Blue, can be powder coated in any colour, (charges will apply)	
Dimensions:	Length	1,800mm
	Height	3,750mm (max)
	Width	3,430mm (outer) 2,490mm (inner)
Max Height	2,032mm	
Lifting Time:	Approx. 40-60 sec	
Lowering Time:	Approx. 30sec	
Capacity:	4,000 kg	
Motor:	1 Phase	3HP×220V×50Hz
	3 Phase	2HP×220V/380V×50Hz
Net Weight:	650 kg	



\$6,495exc or \$195exc per month lease option.

PRICE INCLUDES DELIVERY AND INSTALLATION

*Excludes GST, Running power from board to hoist, Any ground work if required, Hiab delivery